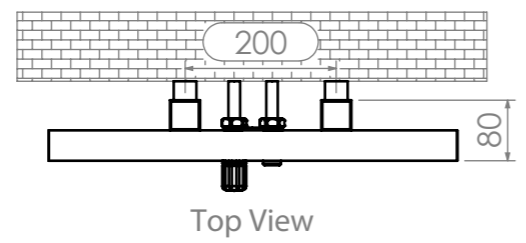
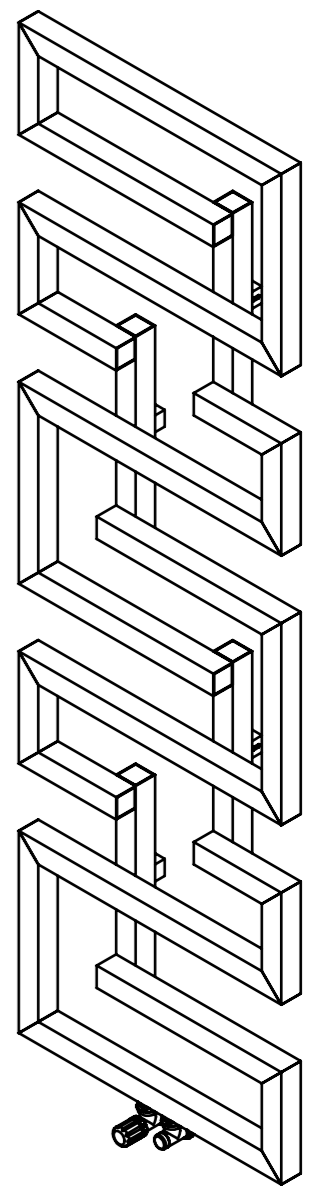
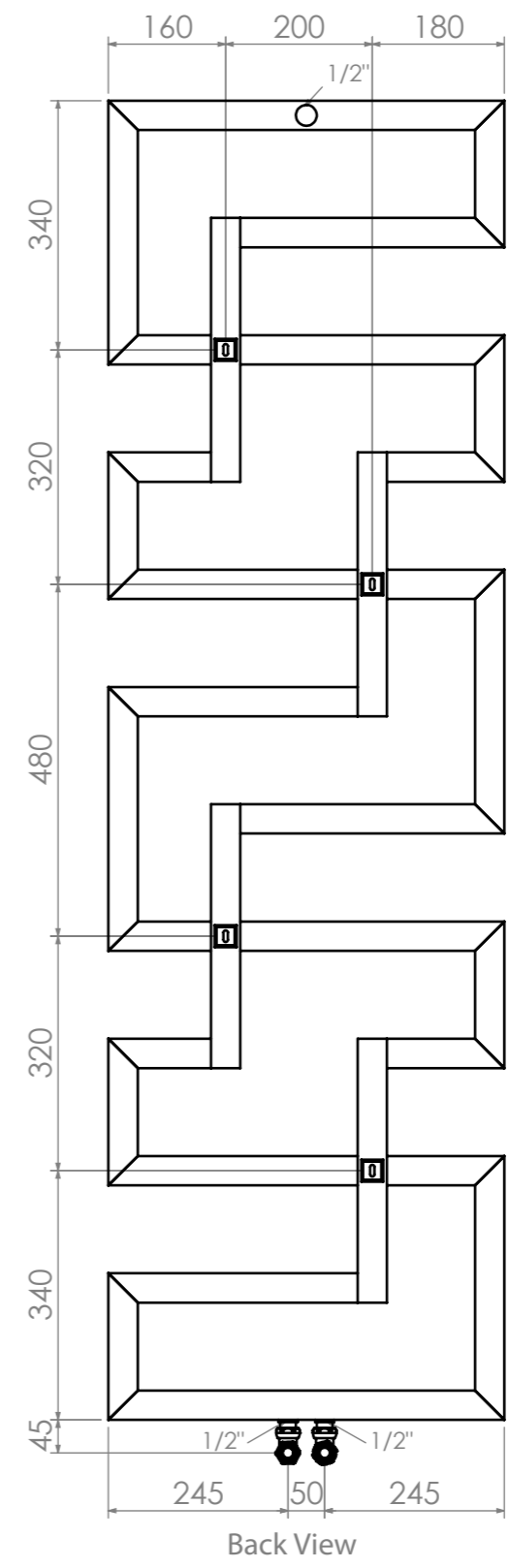
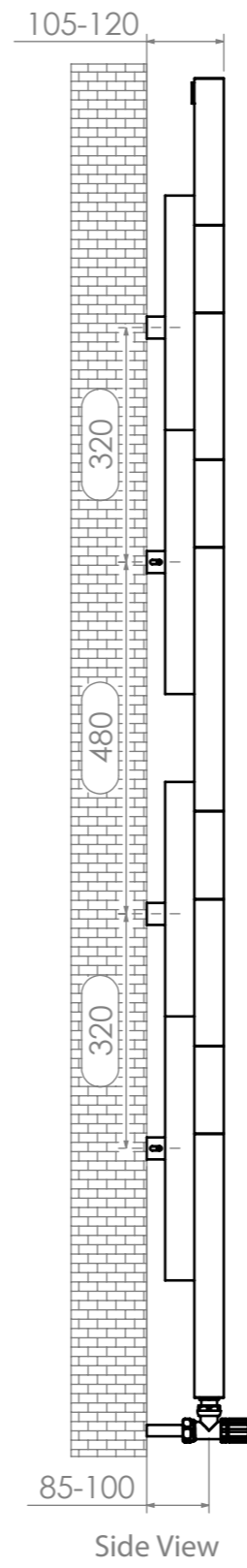
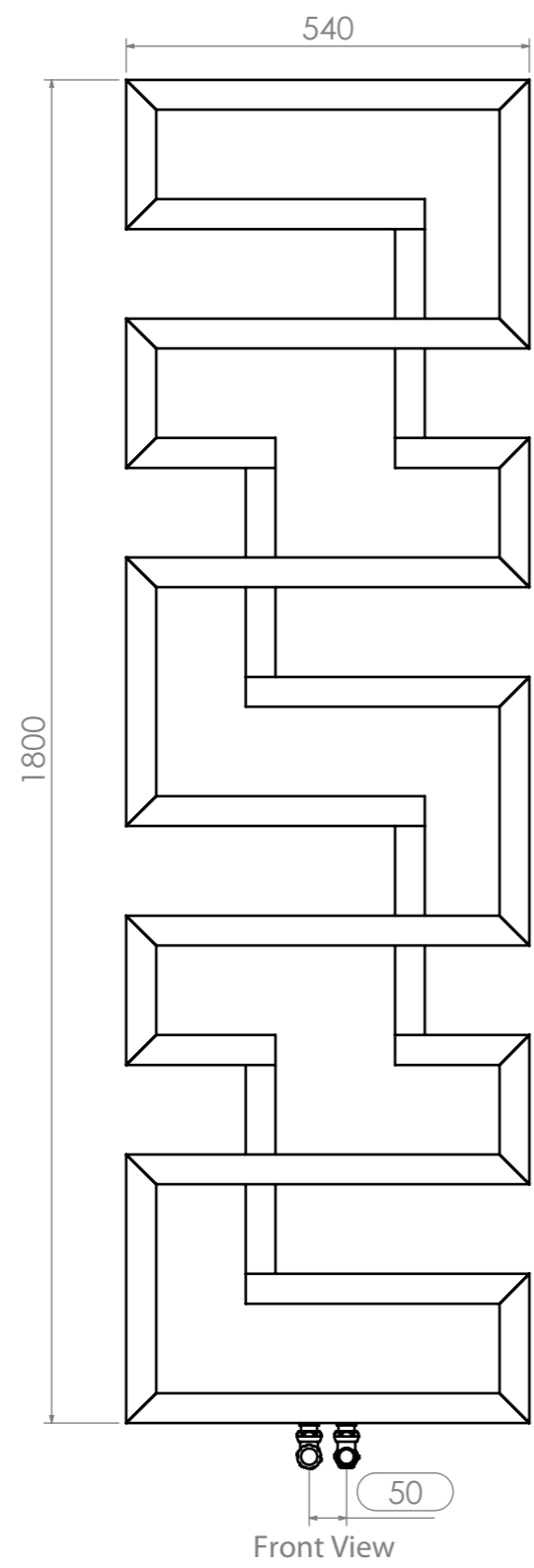
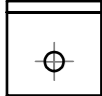


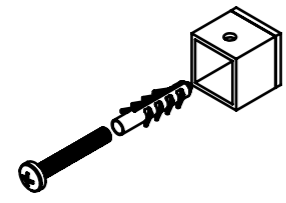


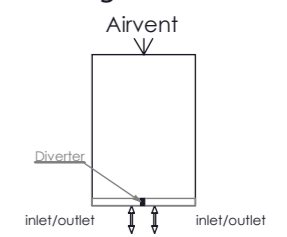
# MILANO



**Installation Accesories:**

-  x4
-  x4
-  x4
- 

**Fitting Position:**



All Dimension are in mm  
 Max.Working Pressure = 10 Bar  
 Max.Working Temperature=95° C  
 Inlet / Outlet : 1/2" BSP