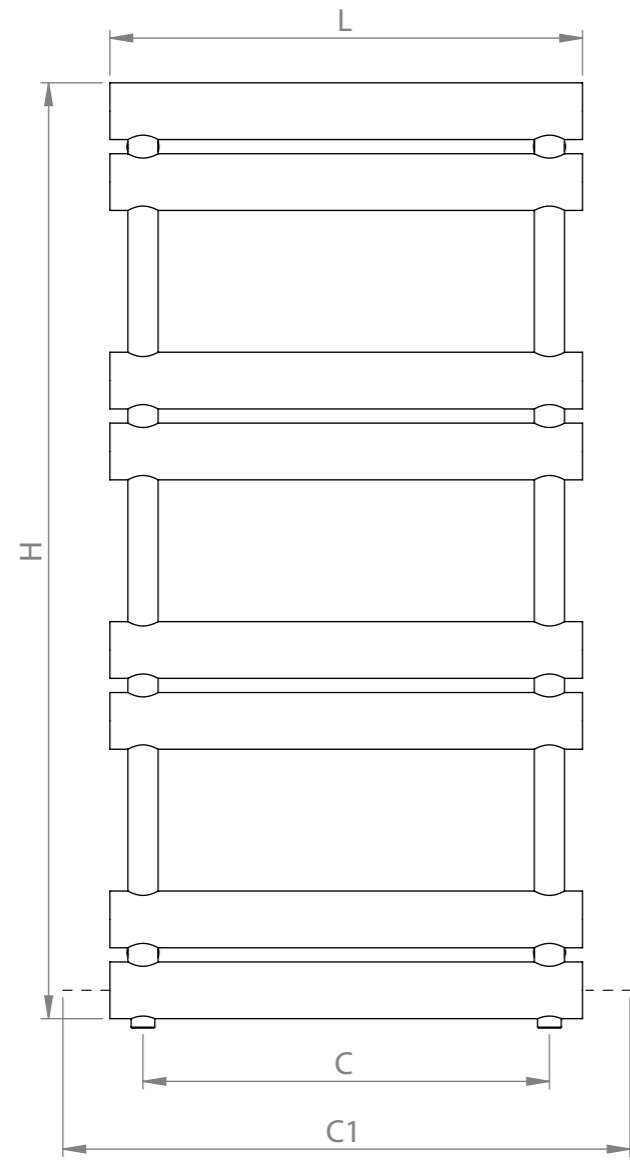
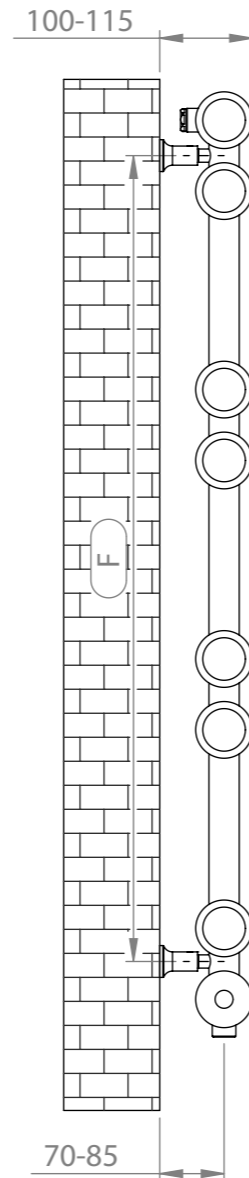


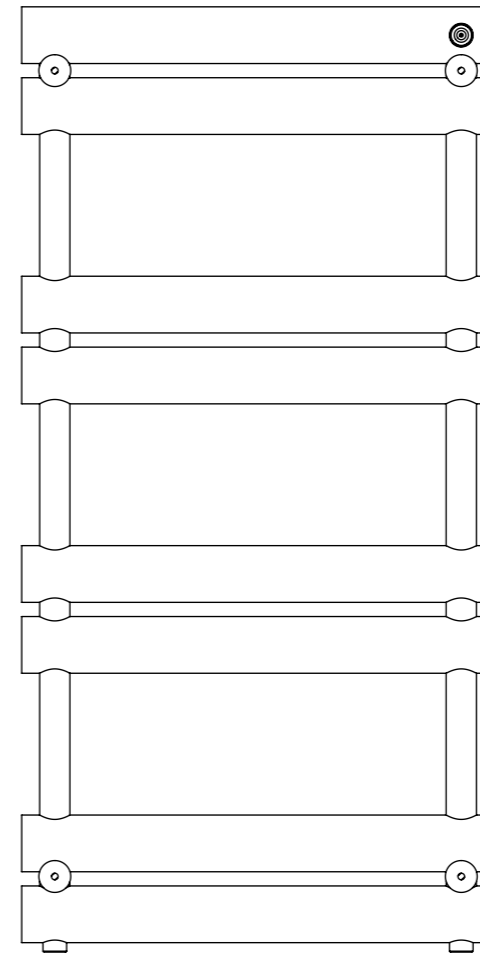
TURBO



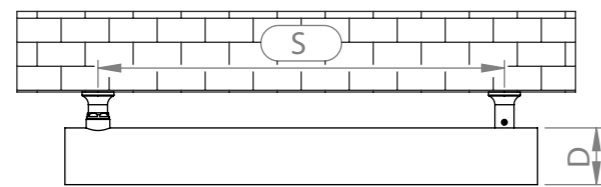
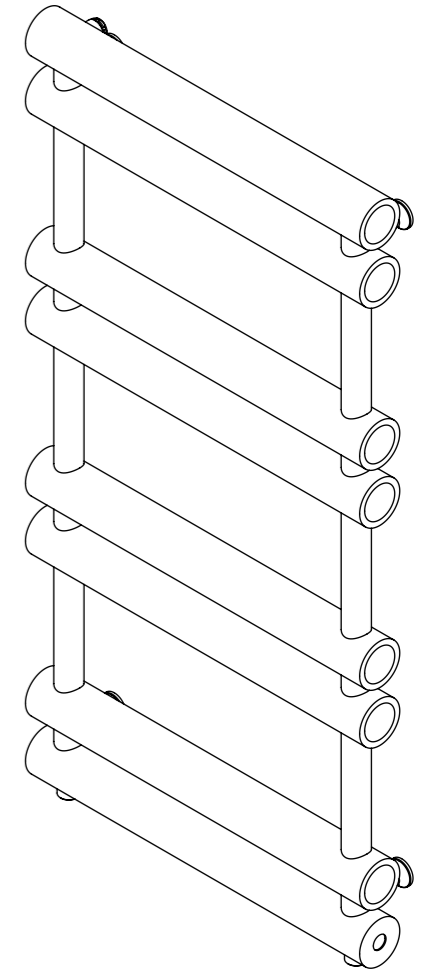
Front View



Side View

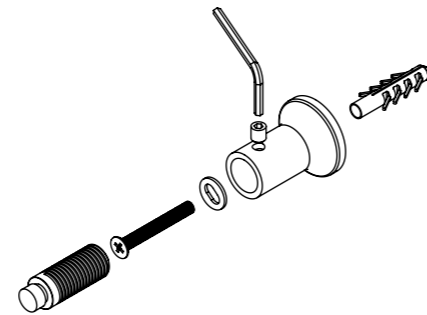
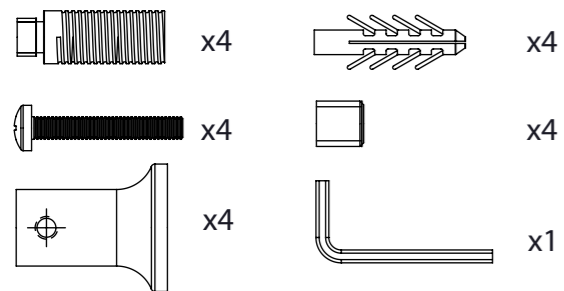


Back View



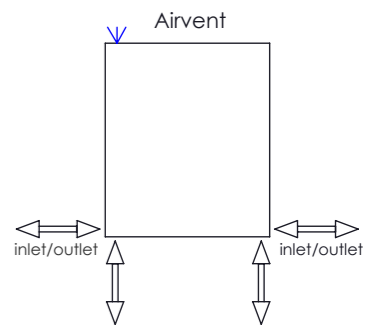
Top View

Installation Accessories:



Plumbing Position:

Vertical mount
 All Dimensions are in mm
 Max.Working Pressure: 10 Bar
 Max.Working Temperature: 95° C
 Inlet / Outlet : 1/2" BSP
 Fuel : E/H/D



Manufacturing Tolerance : - 5 mm

| Height | Length | Depth | Pipe Centres | Bracket Centres | |
|--------|--------|-------|--------------|-----------------|-----|
| H | L | D | C-C1 | F | S |
| mm | mm | mm | mm | mm | mm |
| 705 | 500 | 60 | 430-600 | 570 | 430 |
| 990 | 500 | 60 | 430-600 | 835 | 430 |
| 1275 | 500 | 60 | 430-600 | 565-565 | 430 |
| 1560 | 500 | 60 | 430-600 | 855-565 | 430 |