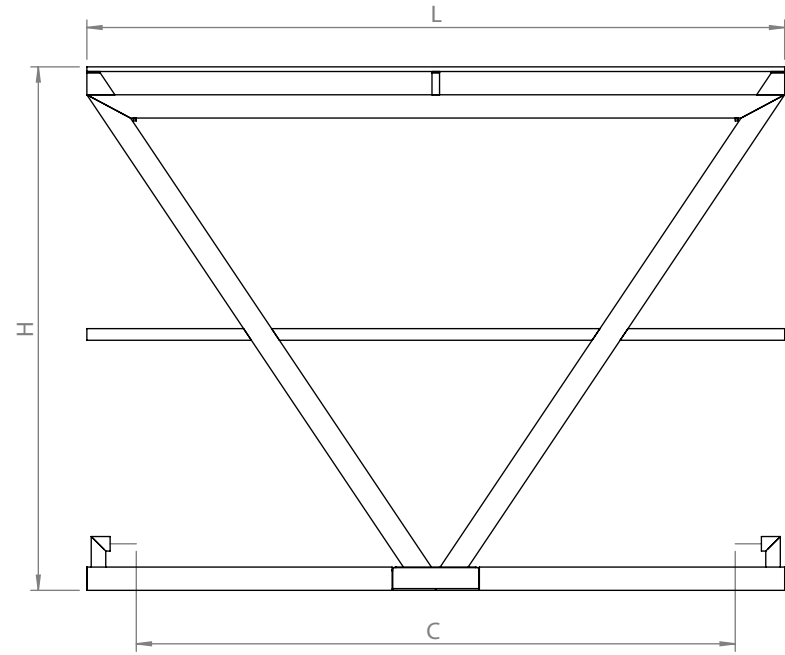
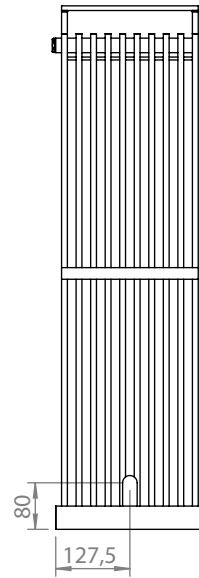


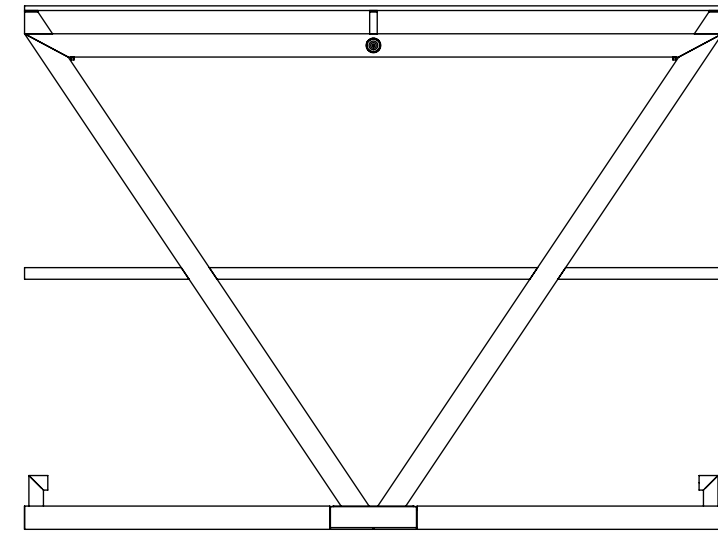
# Lava



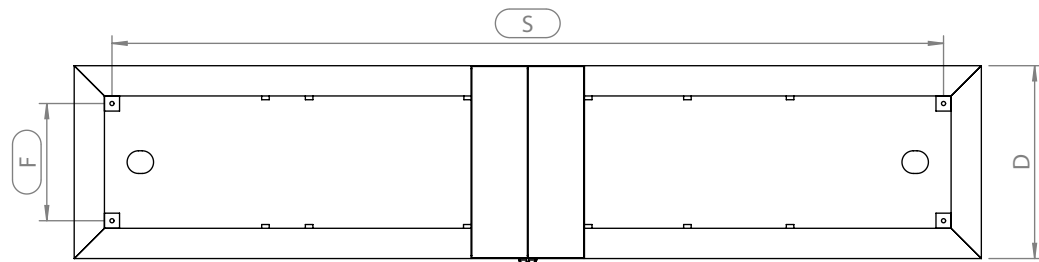
Front View



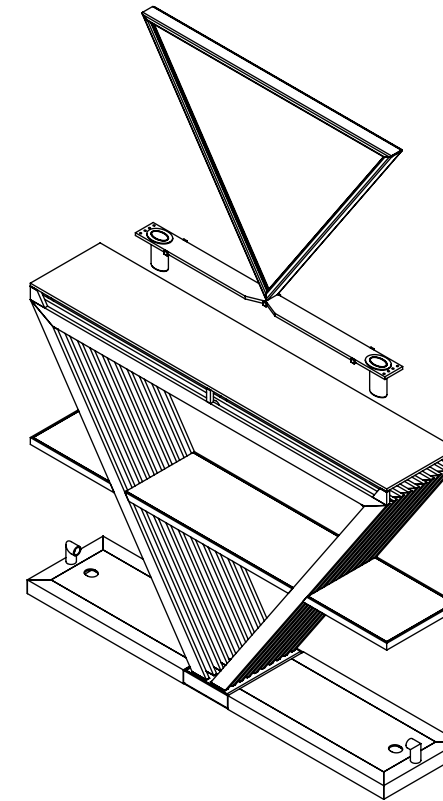
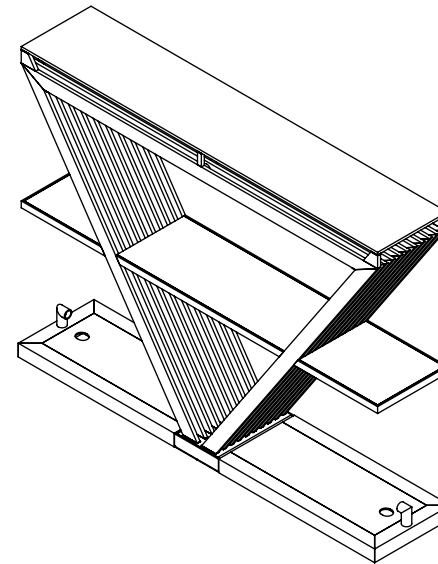
Side View



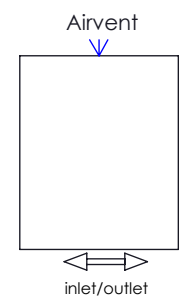
Back View



Bottom View



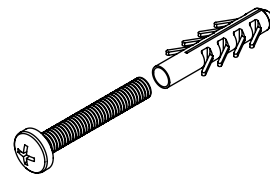
## Plumbing Position:



Vertical mount / Free S.  
 All Dimensions are in mm  
 Max.Working Pressure: 5 Bar  
 Max.Working Temperature: 95° C  
 Inlet / Outlet : 1/2" BSP  
 Fuel : H

Manufacturing Tolerance : - 5 mm

## Installation Accessories:



Height	Length	Depth	Pipe Centres	Bracket Centres	
H	L	D	C	F	S
mm	mm	mm	mm	mm	mm
900	1200	255	1030	155	1100
900	1500	255	1330	155	1400