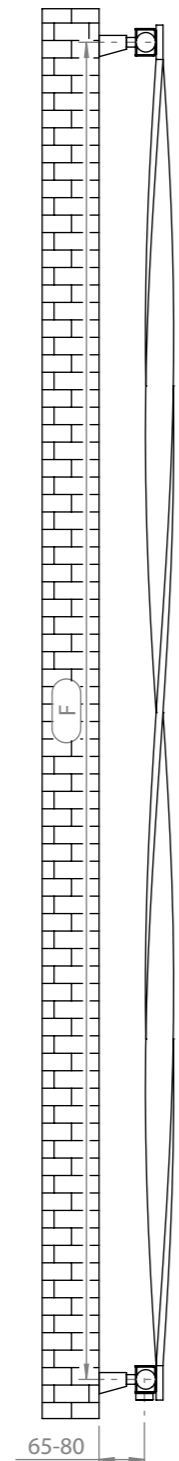
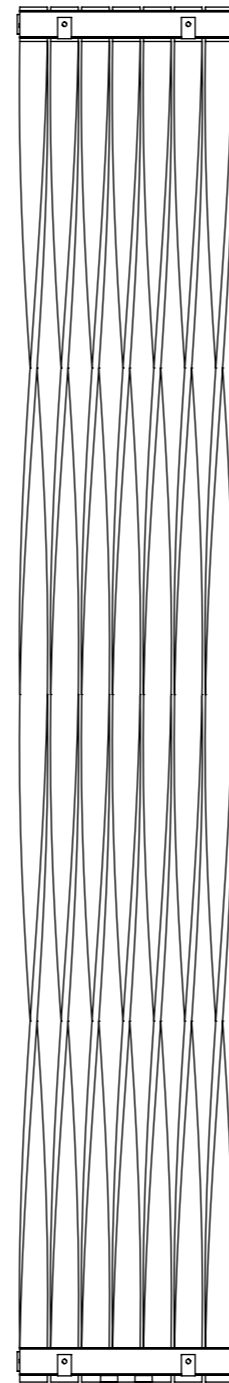


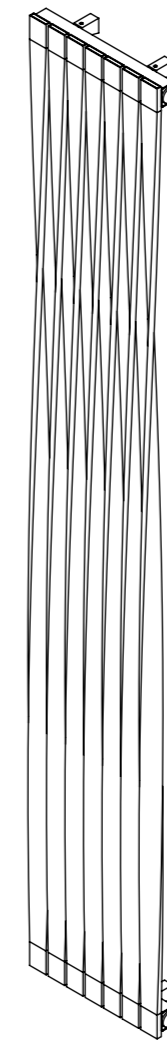
Front View



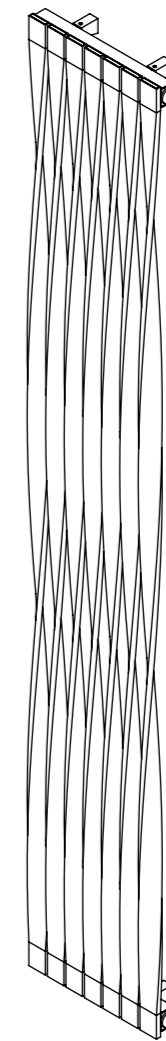
Side View



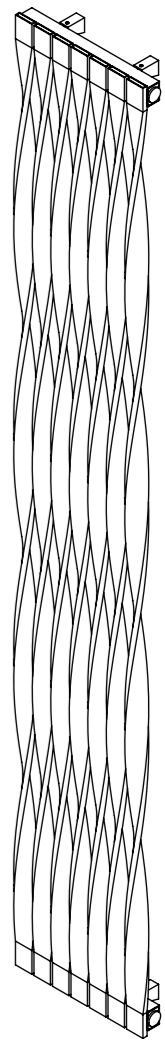
Back View



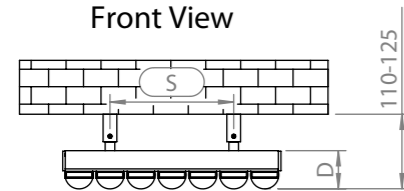
ESSA 180°



ESSA 360°




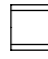
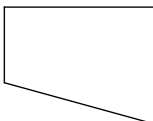



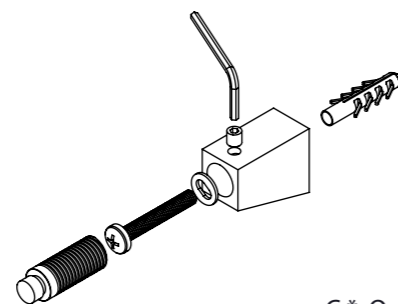
ESSA 720°



Top View

Installation Accessories:

-  x4  x4
-  x4  x4
-  x4  x1

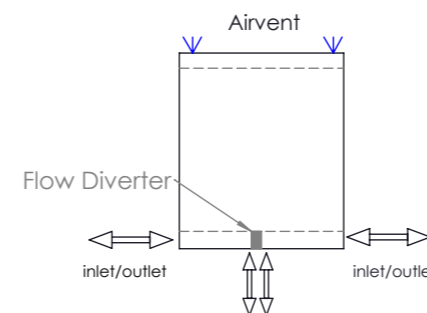


Vertical mount
 All Dimensions are in mm
 Max.Working Pressure: 8 Bar
 Max.Working Temperature: 95° C
 Inlet / Outlet : 1/2" BSP
 Fuel : E/H/D

C * : Only available for minimum seven profiles
 Manufacturing Tolerance : - 5 mm

When mounting vertically, please observe that the collector fitted with a flow diverter is mounted at the bottom. This can be verified by visually checking or by referring to the installation diagram

**Plumbing Position:
 Vertical**



Height	Length	Depth	Pipe Centres	Bracket Centres
H	L	D	C1-C	F S
mm	mm	mm	mm	mm mm
1500	220	55	50	1445 90
1500	220	55	50	1445 90
1500	310	55	50-400	1445 180
1500	310	55	50-400	1445 180
1500	400	55	50-490	1445 270
1500	400	55	50-490	1445 270
1800	220	55	50	1745 90
1800	220	55	50	1745 90
1800	310	55	50-400	1745 180
1800	310	55	50-400	1745 180
1800	400	55	50-490	1745 270
1800	400	55	50-490	1745 270
2000	220	55	50	1945 90
2000	220	55	50	1945 90
2000	220	55	50	1940 90
2000	310	55	50-400	1945 180
2000	310	55	50-400	1945 180
2000	310	55	50-400	1940 180
2000	310	55	50-400	1940 180
2000	400	55	50-490	1945 270
2000	400	55	50-490	1945 270
2000	400	55	50-490	1940 270