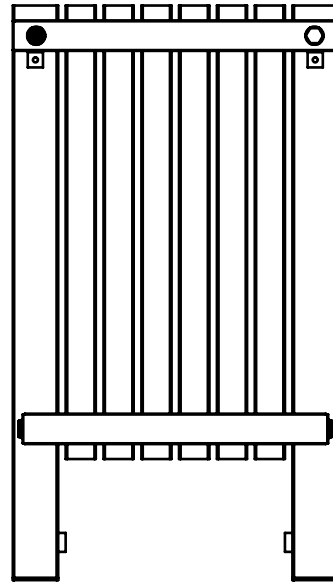
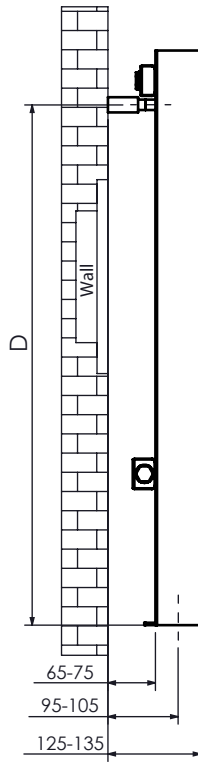
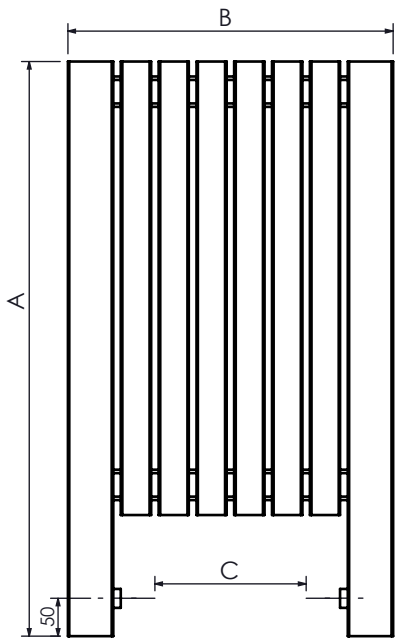
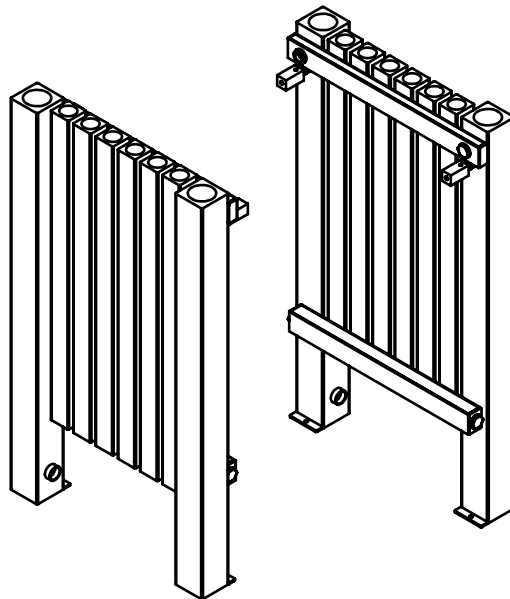
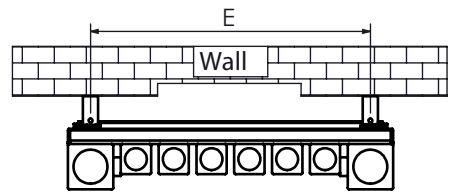


# APERTO



A	B	C	D	E	HEAT OUTPUTS (BTU)	HEAT OUTPUTS (WATT)
HEIGHT mm	LENGTH mm	PIPE CENTER mm	VERTICAL BRACKET CENTERS mm	HORIZONTAL BRACKET CENTERS mm	Delta T:50 °C	Delta T:50 °C
760	430	200	688	370	2739	802
760	530	300	688	470	3388	992
760	630	400	688	570	4037	1182
760	730	500	688	670	4686	1372
760	830	600	688	770	5335	1562
760	1030	800	688	970	6633	1942
760	1230	1000	688	1170	7931	2322
760	1430	1200	688	1370	9229	2702



Bracket Assembly

